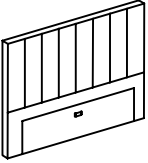

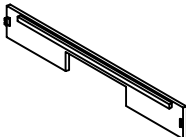



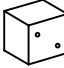






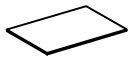
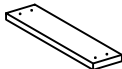
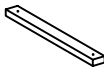


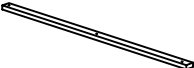
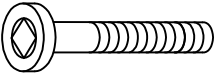
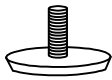
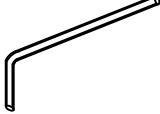
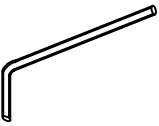
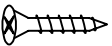
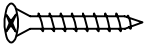
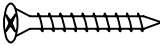
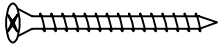

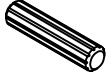


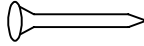
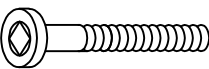


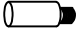


PARTS LIST

<p>A HEADBOARD (1 PC)</p> 	<p>B FOOTBOARD (1 PC)</p> 	<p>C SIDE RAIL (2 PCS)</p> 	<p>D CENTRAL RAIL (1 PC) 2040mm</p> 	<p>E SUPPORT LEG (2 PCS) 265mm</p> 	<p>F SIDE RAIL (4PCS) SUPPORT 266 x 30 x 30mm</p> 
<p>G LEGS (2 PCS) Wooden Leg 70 x 70 x 50(H)</p> 	<p>H FOOTBOARD (1 PC) FRONT PANEL (WITH LABEL 1)</p> 	<p>I FOOTBOARD (1 PC) BACK PANEL (WITH LABEL 2)</p> 	<p>J FOOTBOARD & SIDE RAIL SIDE PANEL (6 PCS) (WITH LABEL 3)</p> 	<p>K FOOTBOARD (1 PC) BOTTOM PANEL (WITH LABEL 4)</p> 	<p>L SIDE RAIL (2 PCS) FRONT PANEL (WITH LABEL 5)</p> 
<p>M SIDE RAIL (2 PCS) BACK PANEL (WITH LABEL 6)</p> 	<p>N SIDE RAIL (2 PCS) BOTTOM PANEL (WITH LABEL 7)</p> 	<p>O BOTTOM PANEL (7 PCS) BIG SUPPORT (WITH LABEL 8)</p> 	<p>P BOTTOM PANEL (4 PCS) SMALL SUPPORT (WITH LABEL 9)</p> 	<p>Q LVL SLAT (28 PCS) 762mm</p> 	<p>R SIDE WING (2 PCS)</p> 
<p>S STIFFENER SLAT (2 PCS) 1537mm</p> 					

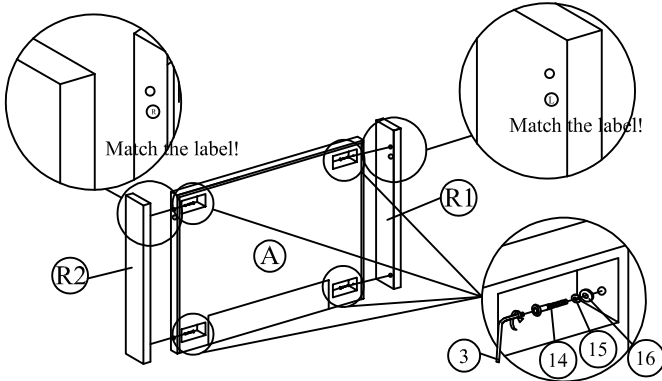
HARDWARE LIST

<p>1 JCBC M6 X 40mm(2 PCS)</p> 	<p>2 Small Adjuster 35mm (2 PCS)</p> 	<p>3 ALLEN KEY M4 X 65mm (1 PC)</p> 	<p>4 ALLEN KEY M5 X 70mm (1 PC)</p> 	<p>5 CSK M3.5 x 16mm (56 PCS)</p> 
<p>6 CSK M4 x 28mm (8 PCS)</p> 	<p>7 CSK M4 x 32mm (42 PCS)</p> 	<p>8 CSK M4 x 50mm (28 PCS)</p> 	<p>9 ROLLER (14 PCS)</p> 	<p>10 WOOD DOWEL 20MM (8 PCS)</p> 
<p>11 Middle Holder (14 PCS)</p> 	<p>12 End Holder (28 PCS)</p> 	<p>13 Power Nail 6/8 (24 PCS)</p> 	<p>14 JCBC M6 X 50mm(4 PCS)</p> 	<p>15 Spring Washers (4 PCS)</p> 
<p>16 Flat Washers (4 PCS)</p> 	<p>17 Metal Stopper (6 PCS)</p> 			

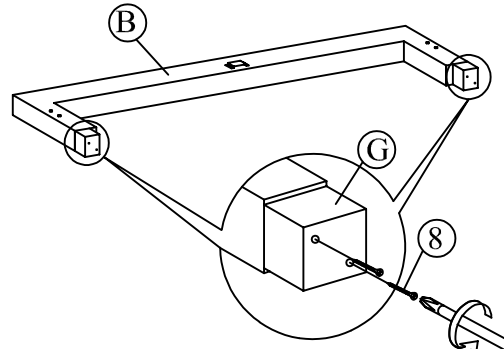
ASSEMBLY INSTRUCTIONS

CF 8950-L 5'

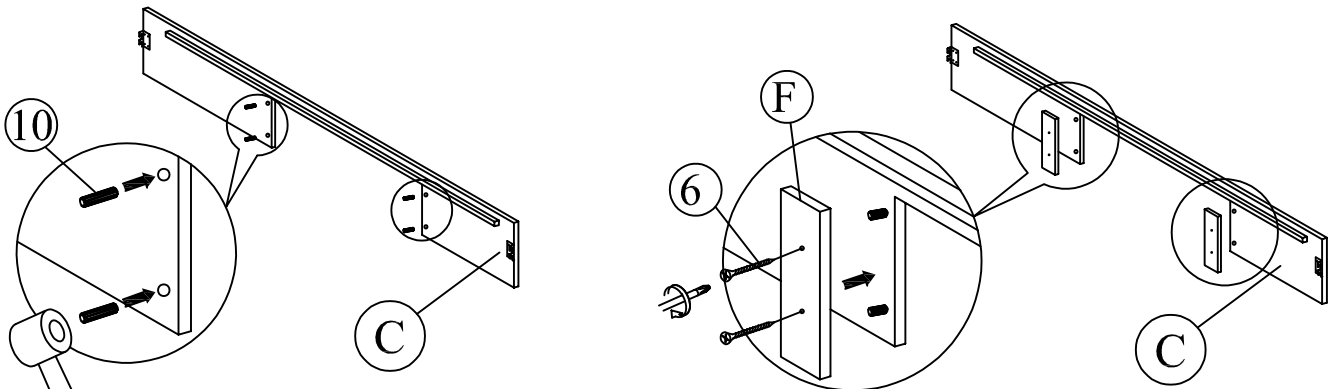
Step 1 : Tighten the side wing (R) to headboard (A) as shown.



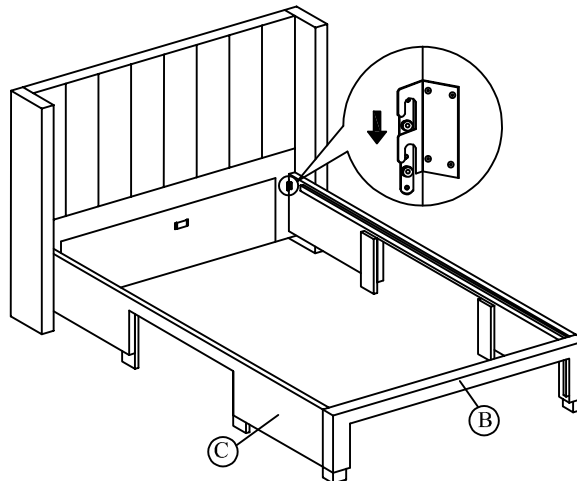
Step 2 : Tighten the legs (G) to both footboard (B) as shown.



Step 3: Attach wood dowel (10) to side rail (C). Tighten the side rail support (F) to the side rail (C) with screws (6) using screw driver (not included).



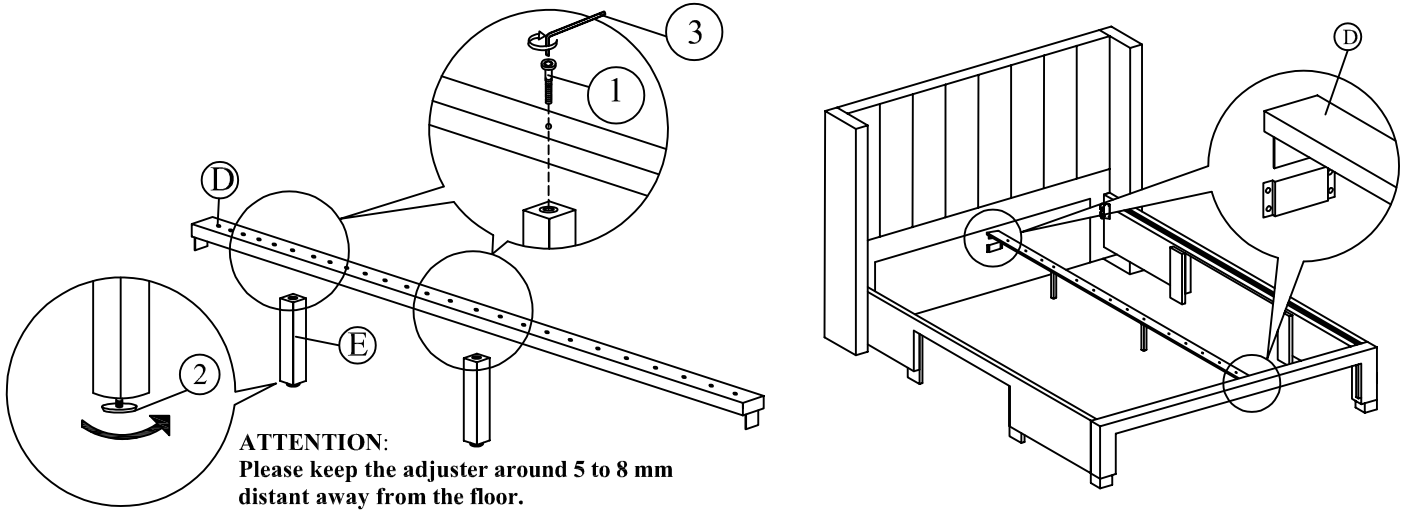
Step 4 : Attach side rail (C) to headboard (A) and footboard (B) by pushing the bracket down to fit it.



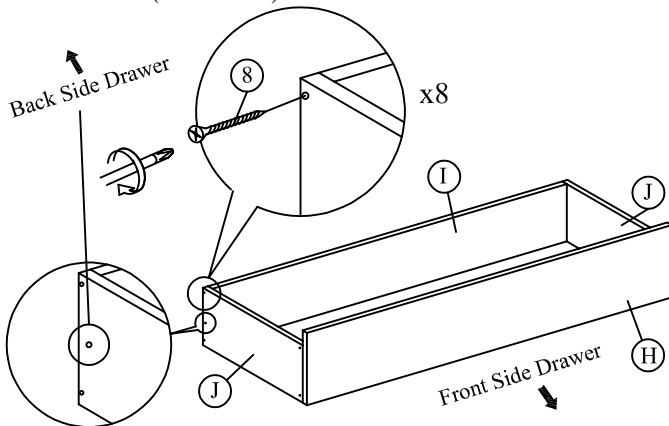
ASSEMBLY INSTRUCTIONS

CF 8950-L 5'

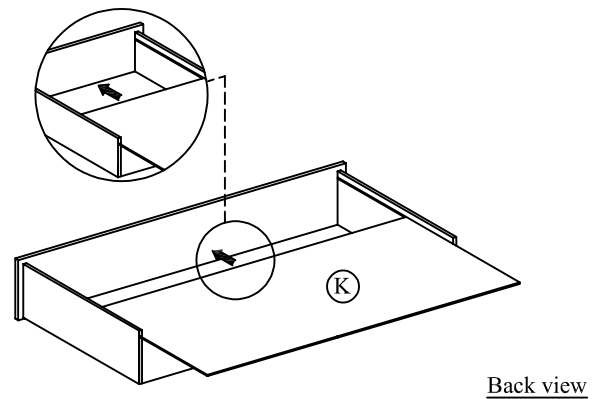
Step 5 : Attach the support legs (E) to the center rail (D) of the bed as shown. Slide the center rail (D) to the headboard (A) and footboard (B).



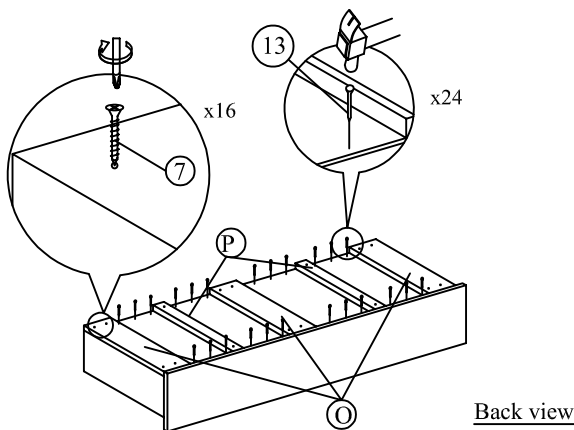
Step 6 : Tighten the footboard side panel (J) to the footboard front panel (H) and footboard back panel (I) with screws (8) using screw driver (not included).



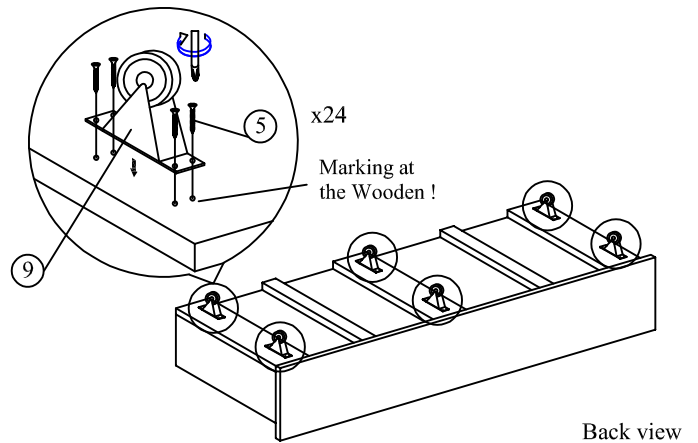
Step 7 : Slide the footboard bottom panel (K) to the set up drawer.



Step 8 : Tighten the bottom panel support (O & P) with screws (7) using screw driver (not included). Attach the bottom panel with Nail (13) using the hammer (not included).



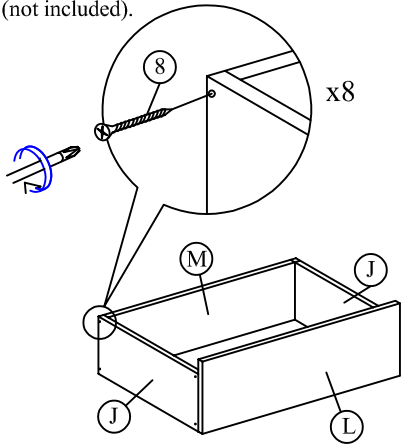
Step 9 : Tighten the roller (9) with screws (5) using screw driver (not included).



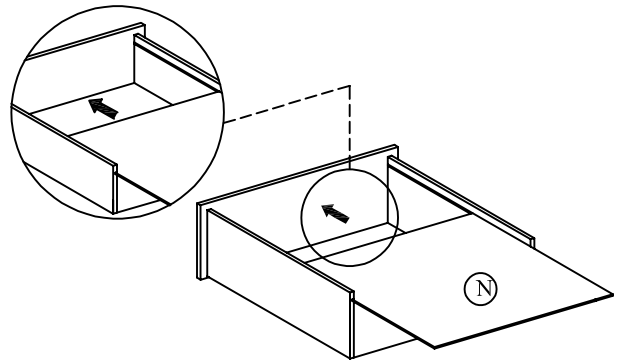
ASSEMBLY INSTRUCTIONS

CF 8950-L 5'

Step 10 : Tighten the side rail side panel (J) to the side rail front panel (L) and side rail back panel (M) with screws (8) using screw driver (not included).

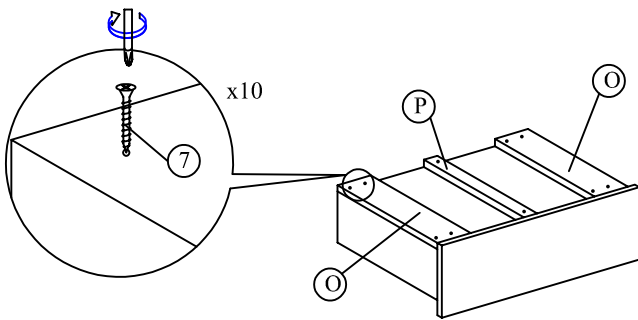


Step 11 : Slide the side rail bottom panel (N) to the set up drawer.



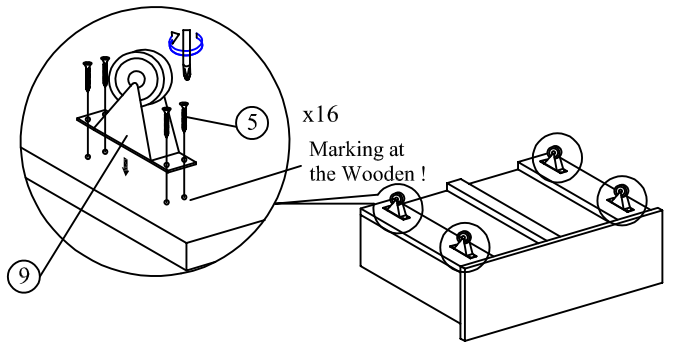
Back view

Step 12 : Tighten the bottom panel support (O & P) with screws (7) using screw driver (not included).



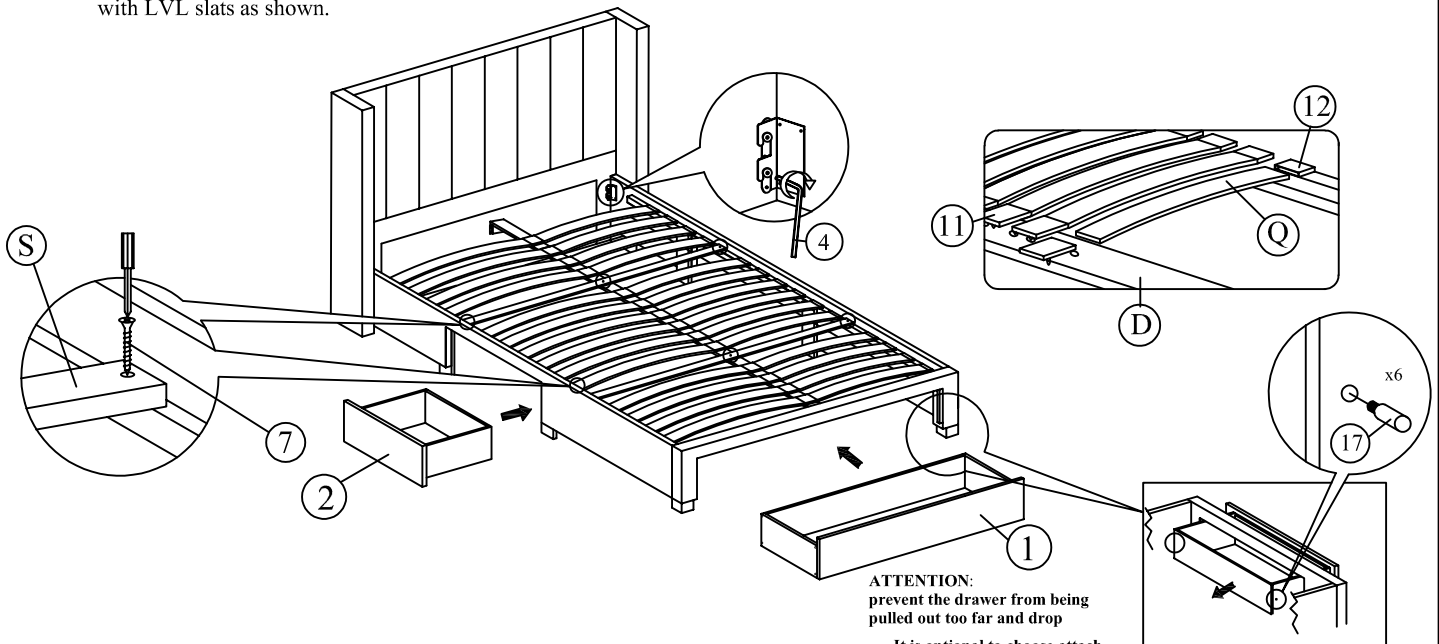
Back view

Step 13 : Tighten the roller (9) with screws (5) using screw driver (not included).



Back view

Step 14 : Affix the Stiffener Slat (S) to the side rail support wood and the center rail (D). Tighten all the 4 corner, follow by assembly of the slat holders with LVL slats as shown.



ATTENTION:
prevent the drawer from being
pulled out too far and drop
It is optional to choose attach
the drawer stopper.

Important Information

Please note that the recommended process for adjusting centre legs when assembling your bed.

Before placing the mattress on the base, please ensure that the **SUPPORT LEGS ARE NOT QUITE TOUCHING THE FLOOR**. When the bed is then in use the support legs will sit firmly on the solid surface.

PLEASE ENSURE THAT THE LEGS ARE VERTICAL.

DUE TO THE NATURE OF LAMINATE / WOODEN FLOORING WE RECOMMEND THAT YOU PLACE A SMALL PIECE OF NON SLIP MATERIAL UNDER THE LEGS WHICH WILL GIVE YOU THE FLEXIBILITY THE ADJUSTERS NEED.

When moving the bed it is essential that it is **LIFTED** into the new position. **NEVER DRAG** the bed as this will move the legs from the vertical position thus weakening the support of the centre rail.

Adhering to the recommended process should ensure that your bed gives you years of trouble free service.